

# M U L C H E R

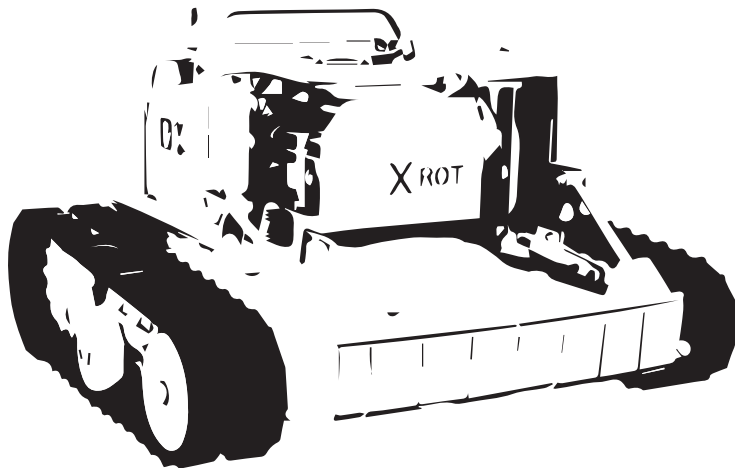


RADIO  
CONTROLLED

MODELS:

# *X-Rot* *X-Rot Pro*

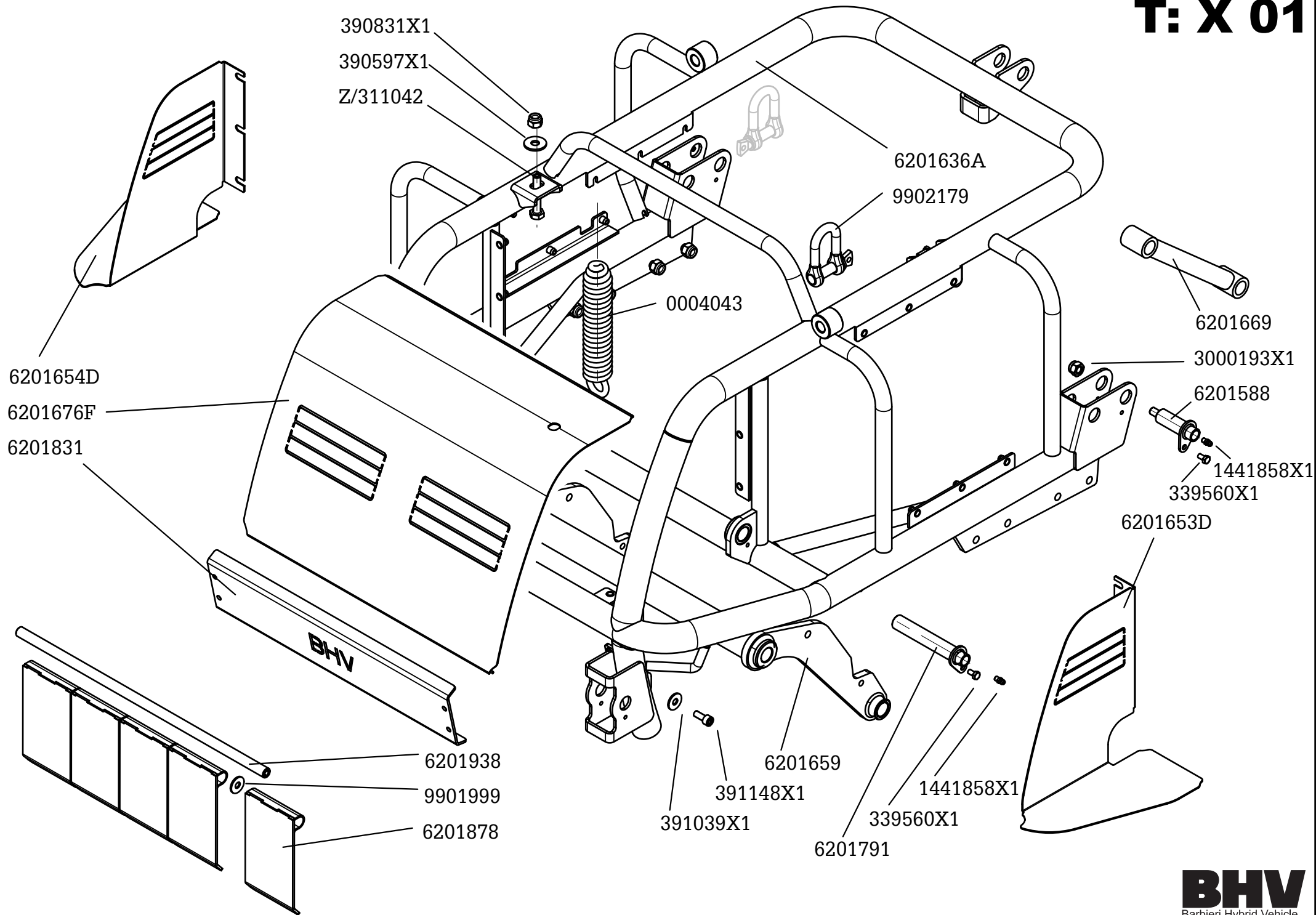
## *Spare Part Catalogue*

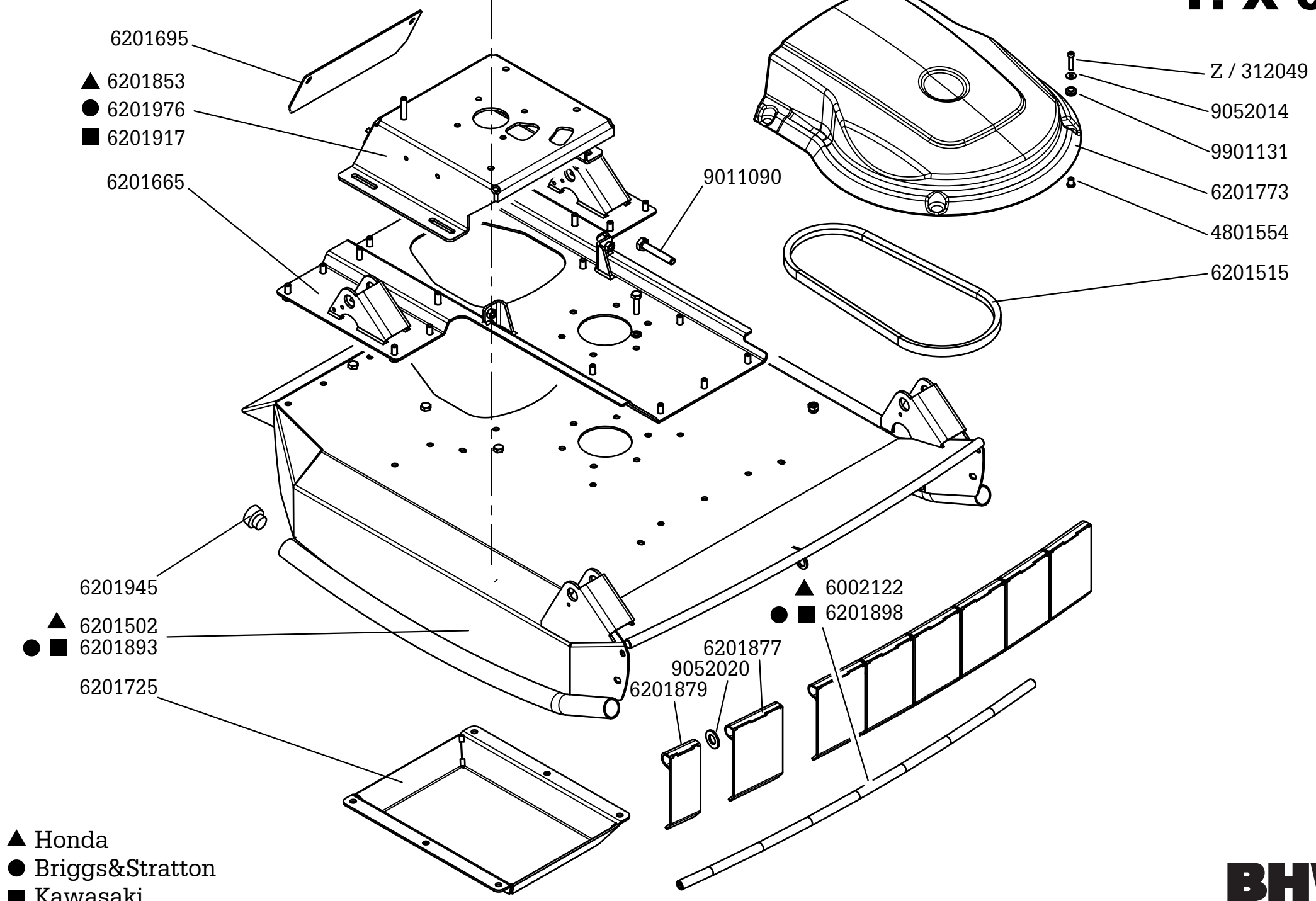


**BHV**  
Barbieri Hybrid Vehicle

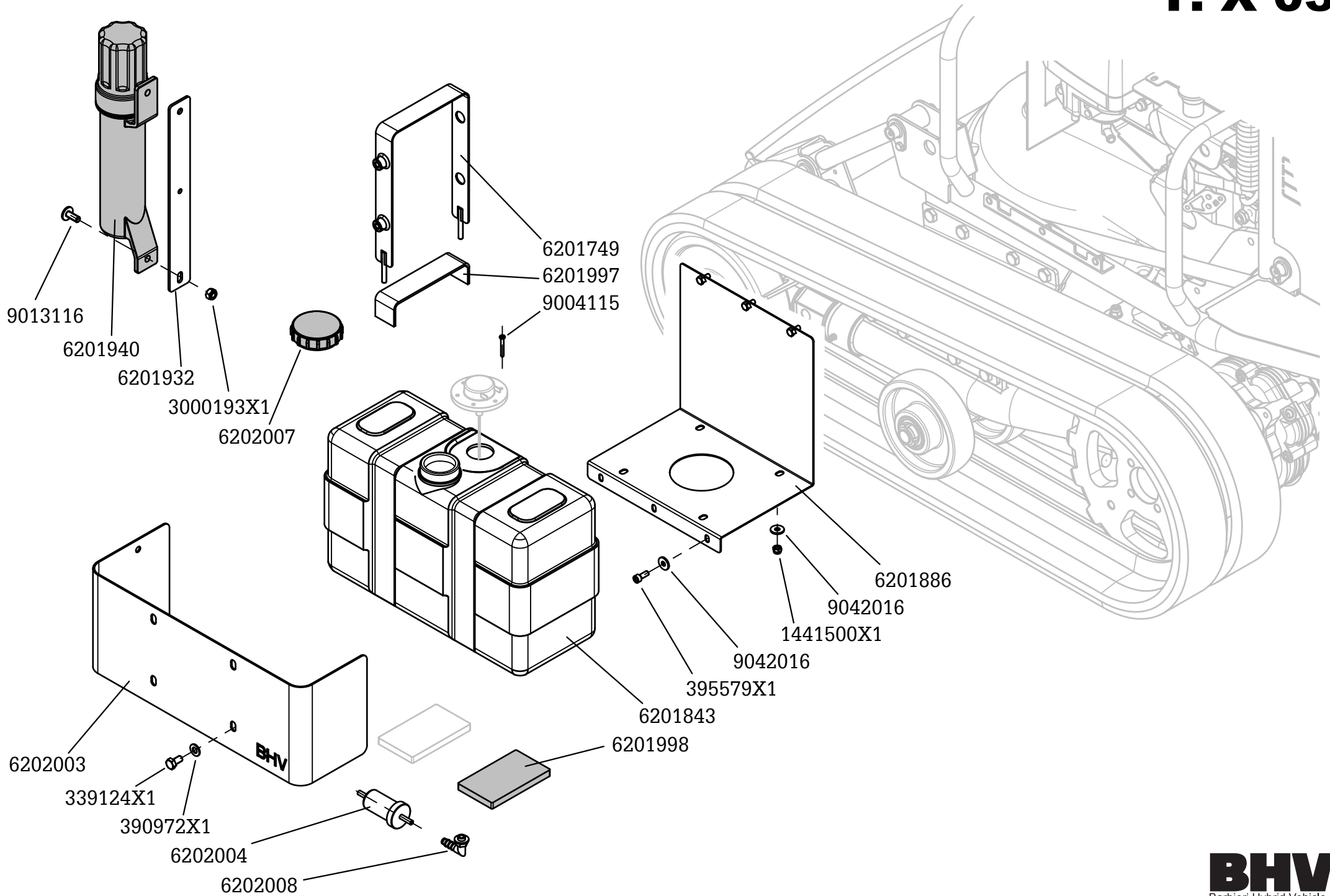


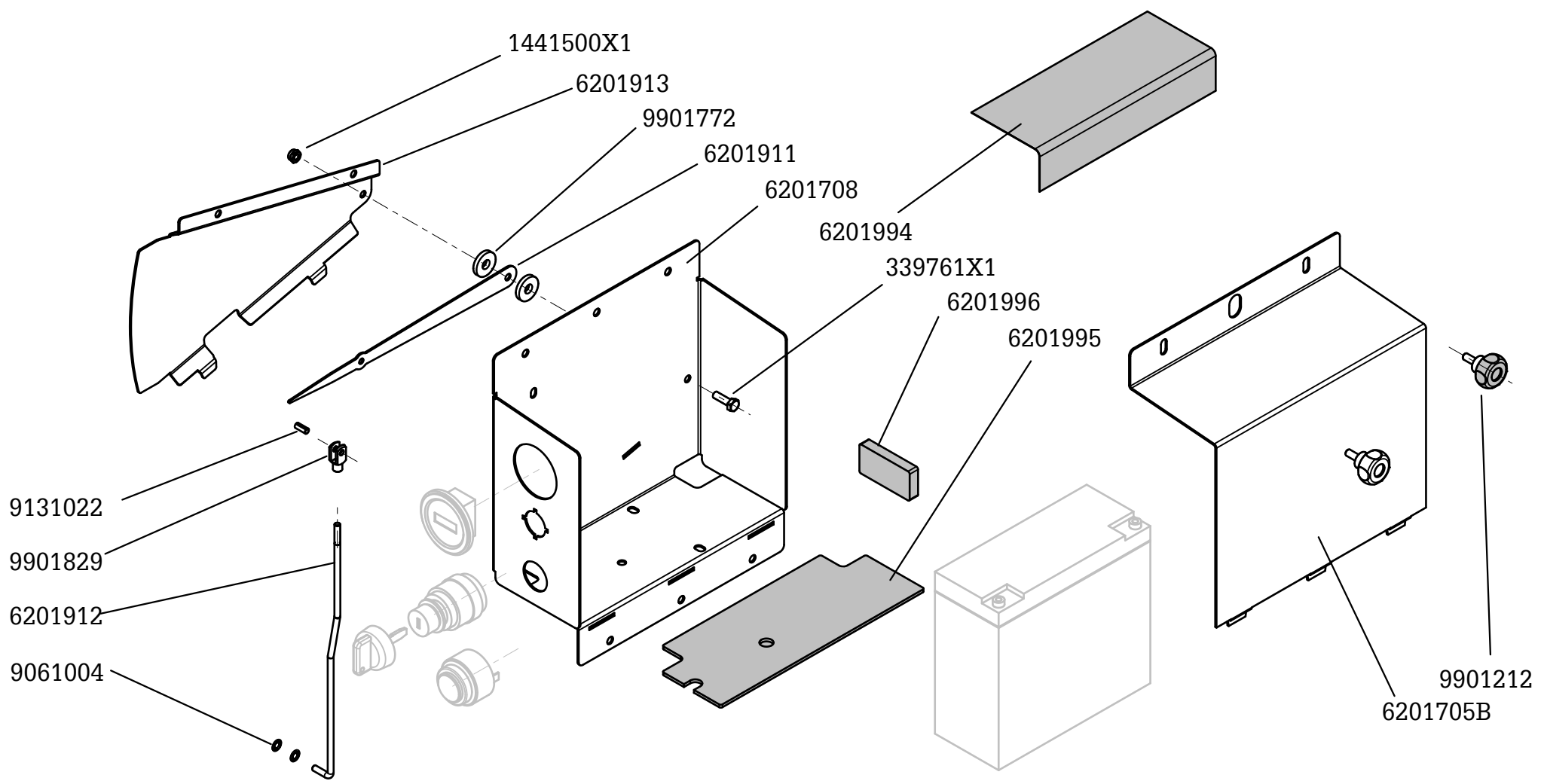
**T: X 01**

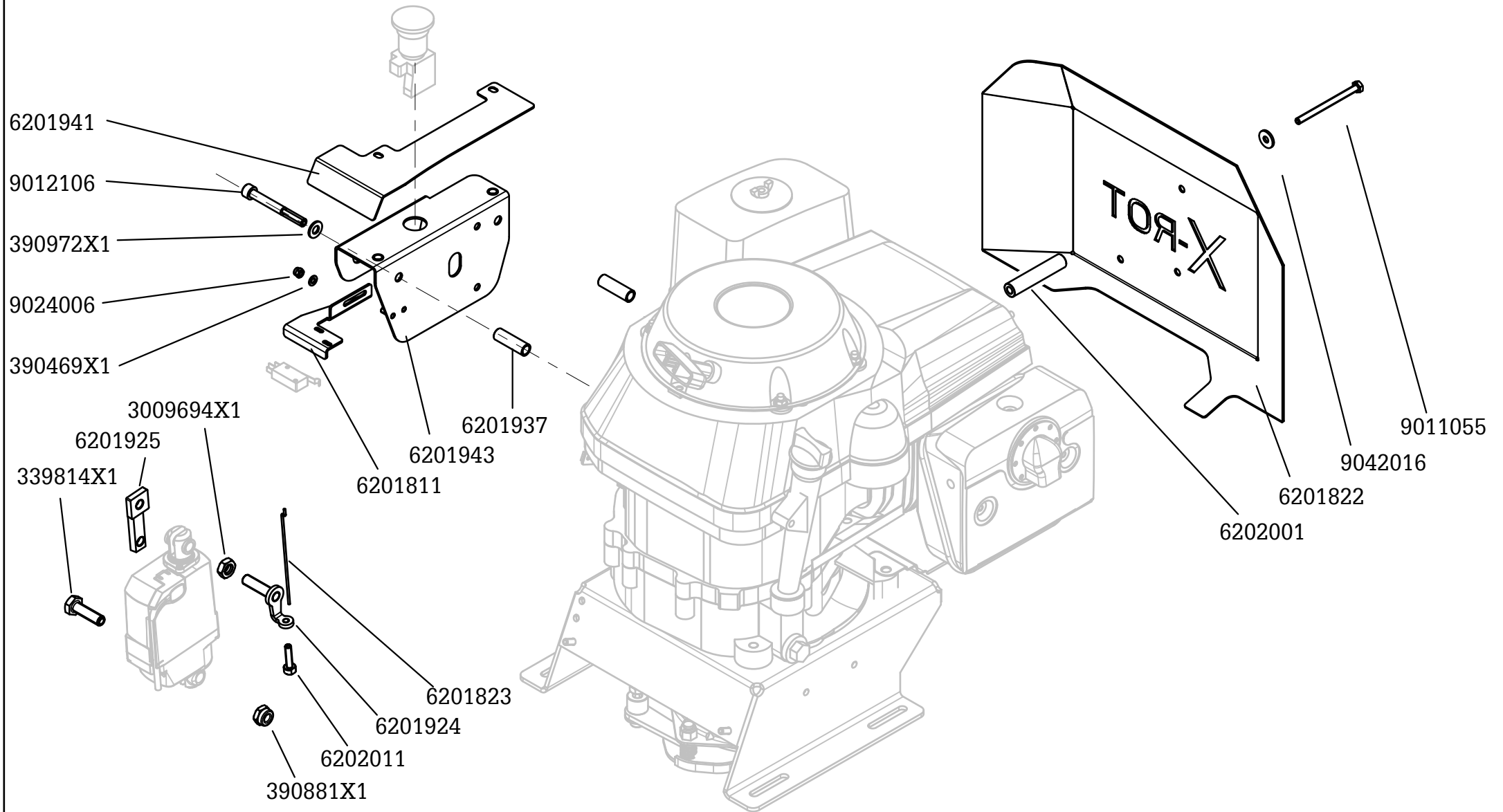




- ▲ Honda
- Briggs&Stratton
- Kawasaki

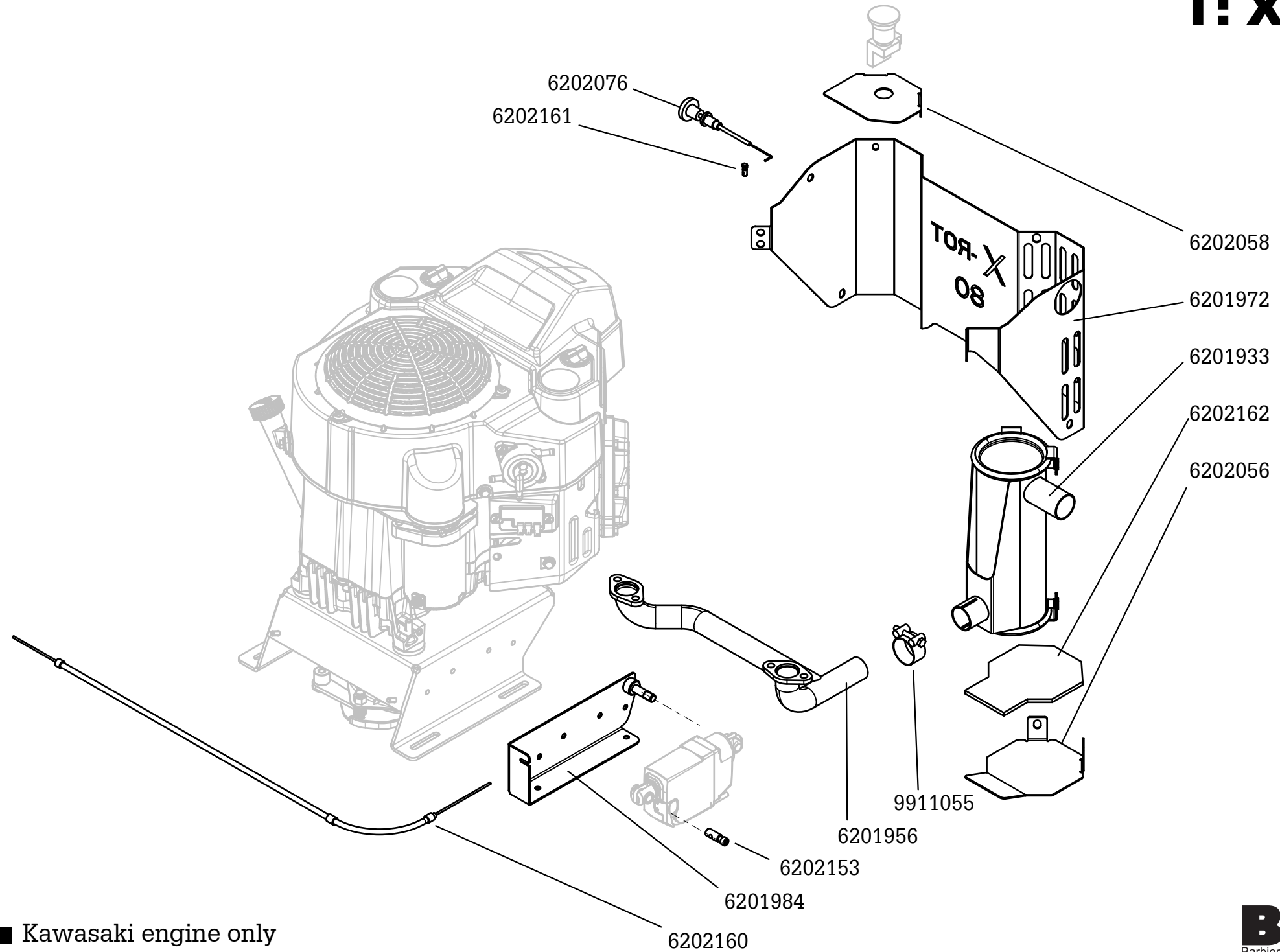






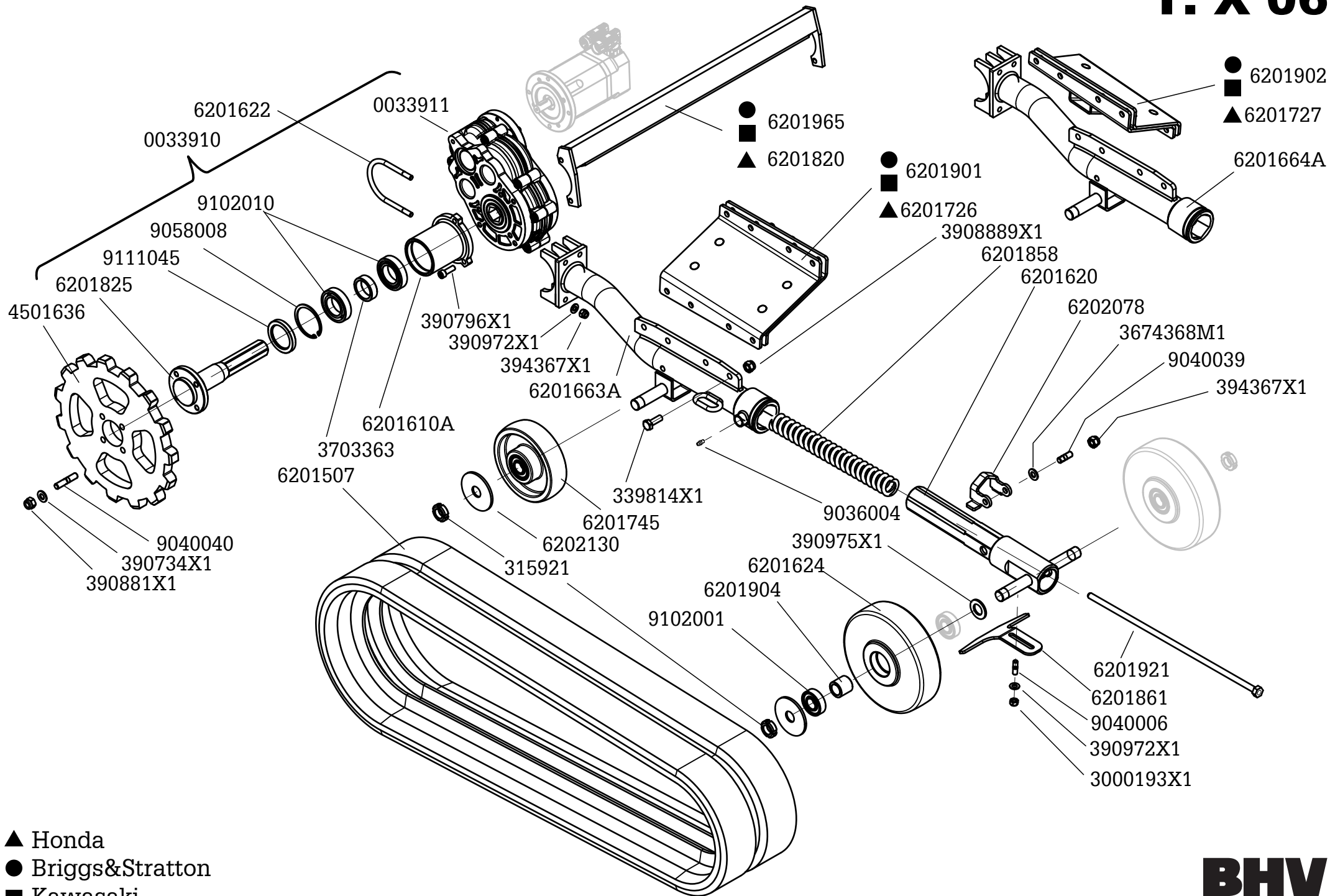
▲ Honda Engine only

# T: X 5K



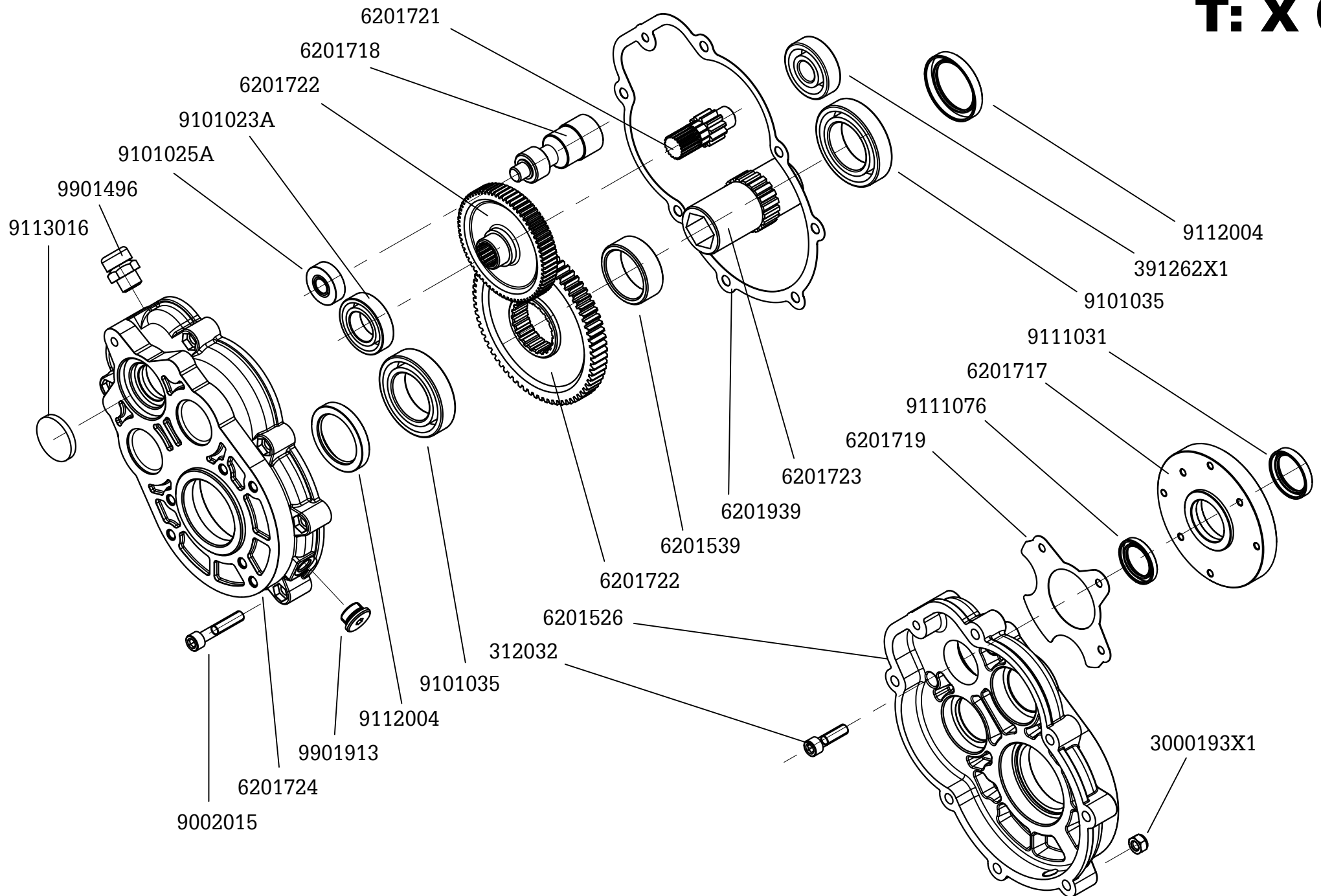
■ Kawasaki engine only

# T: X 06

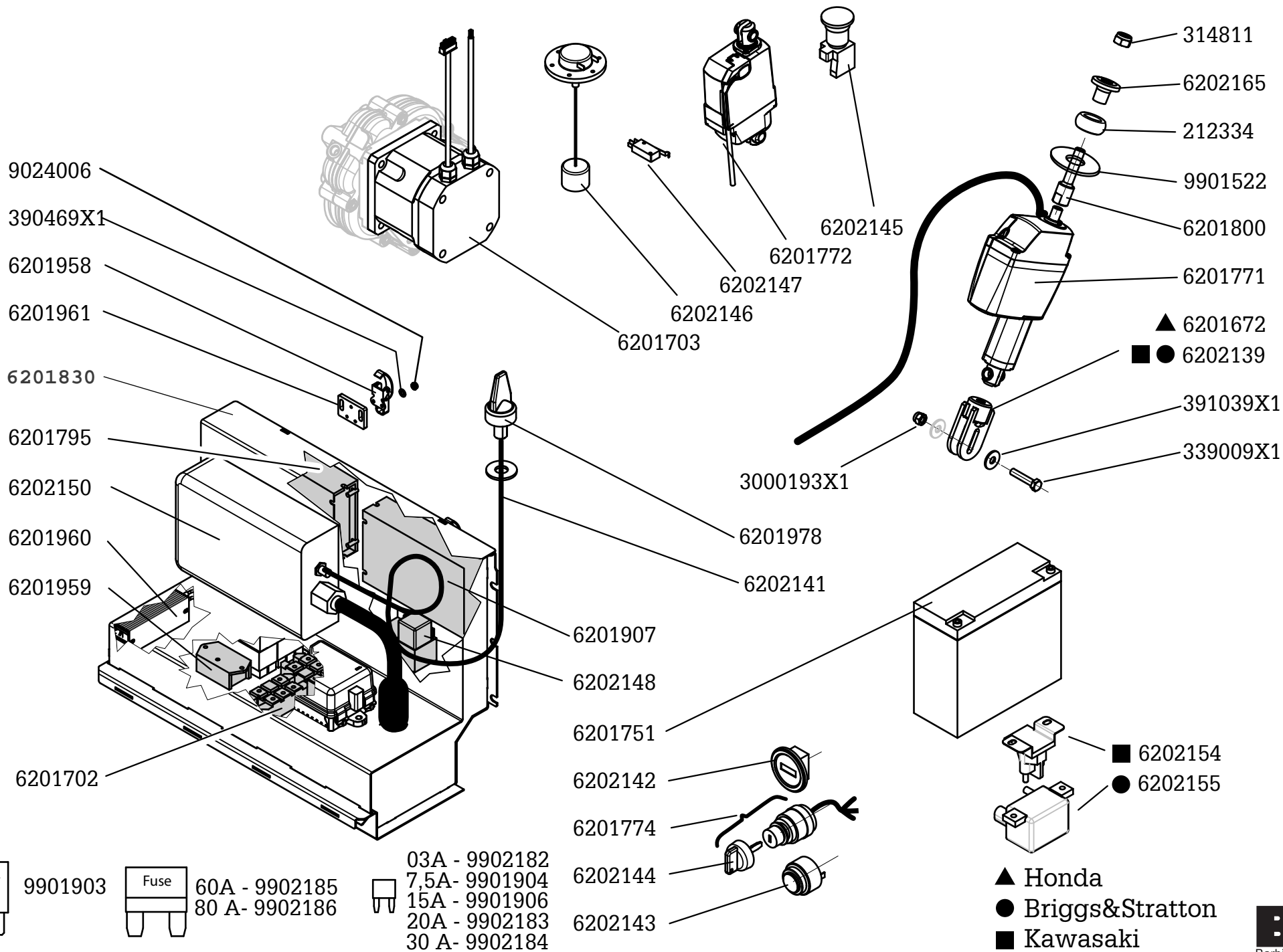


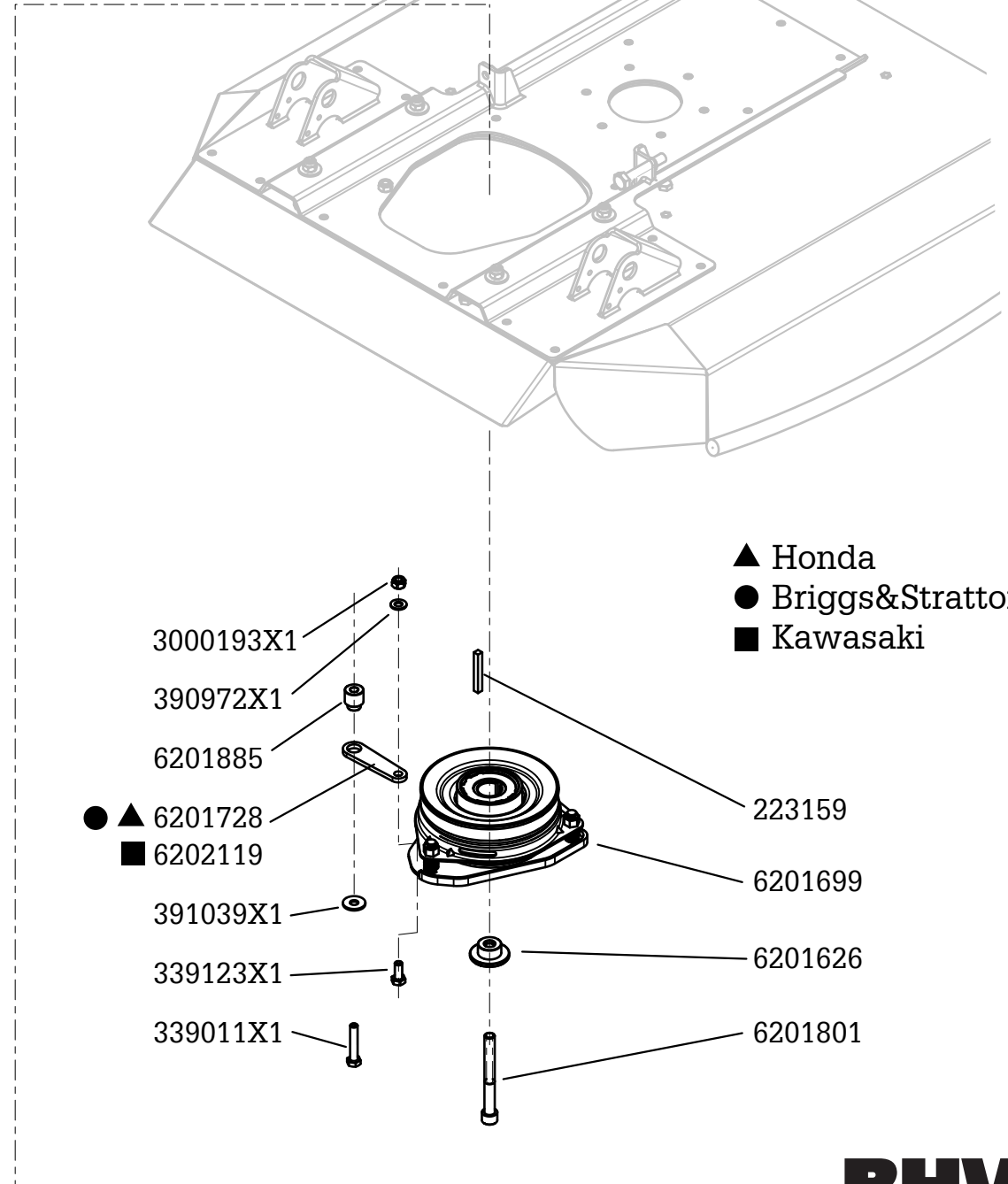
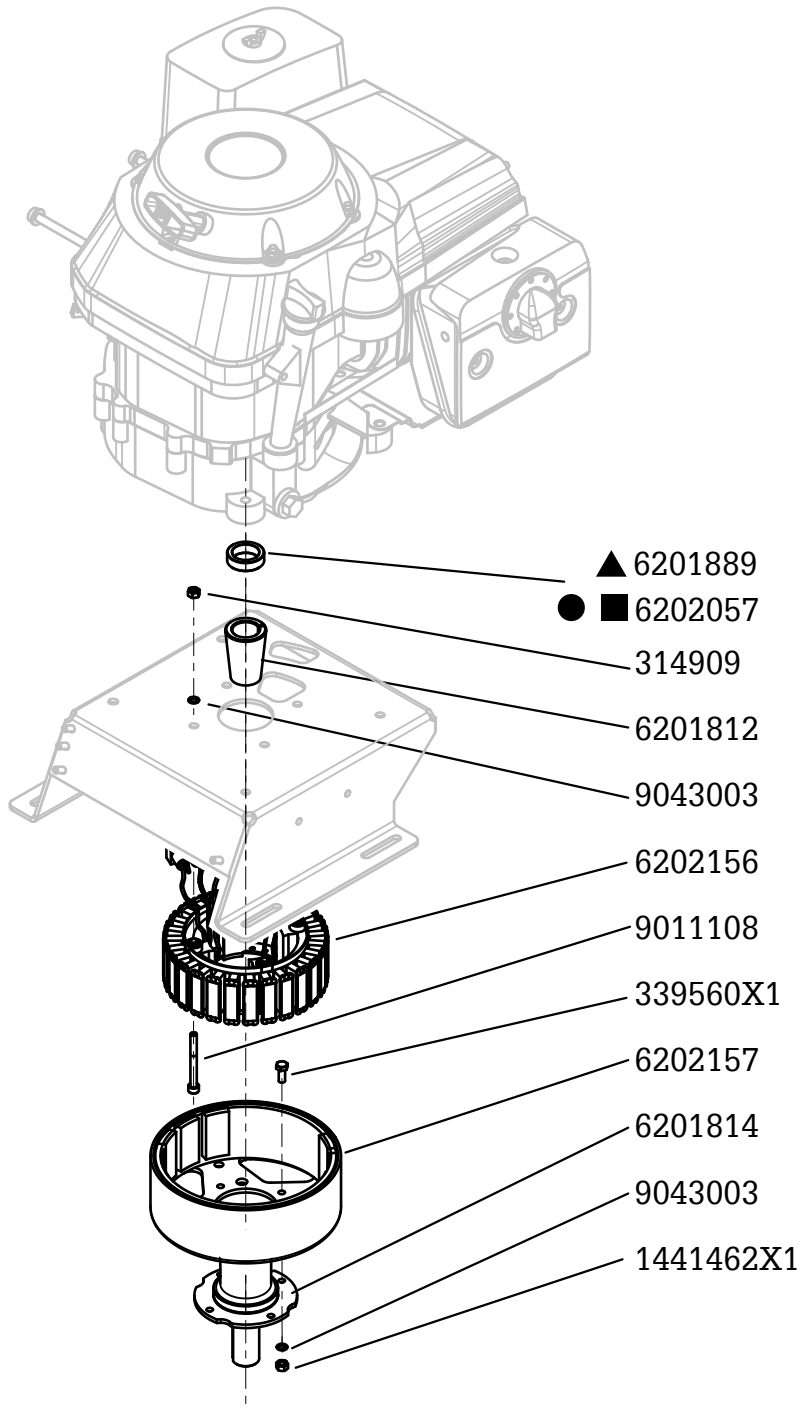
- ▲ Honda
- Briggs&Stratton
- Kawasaki



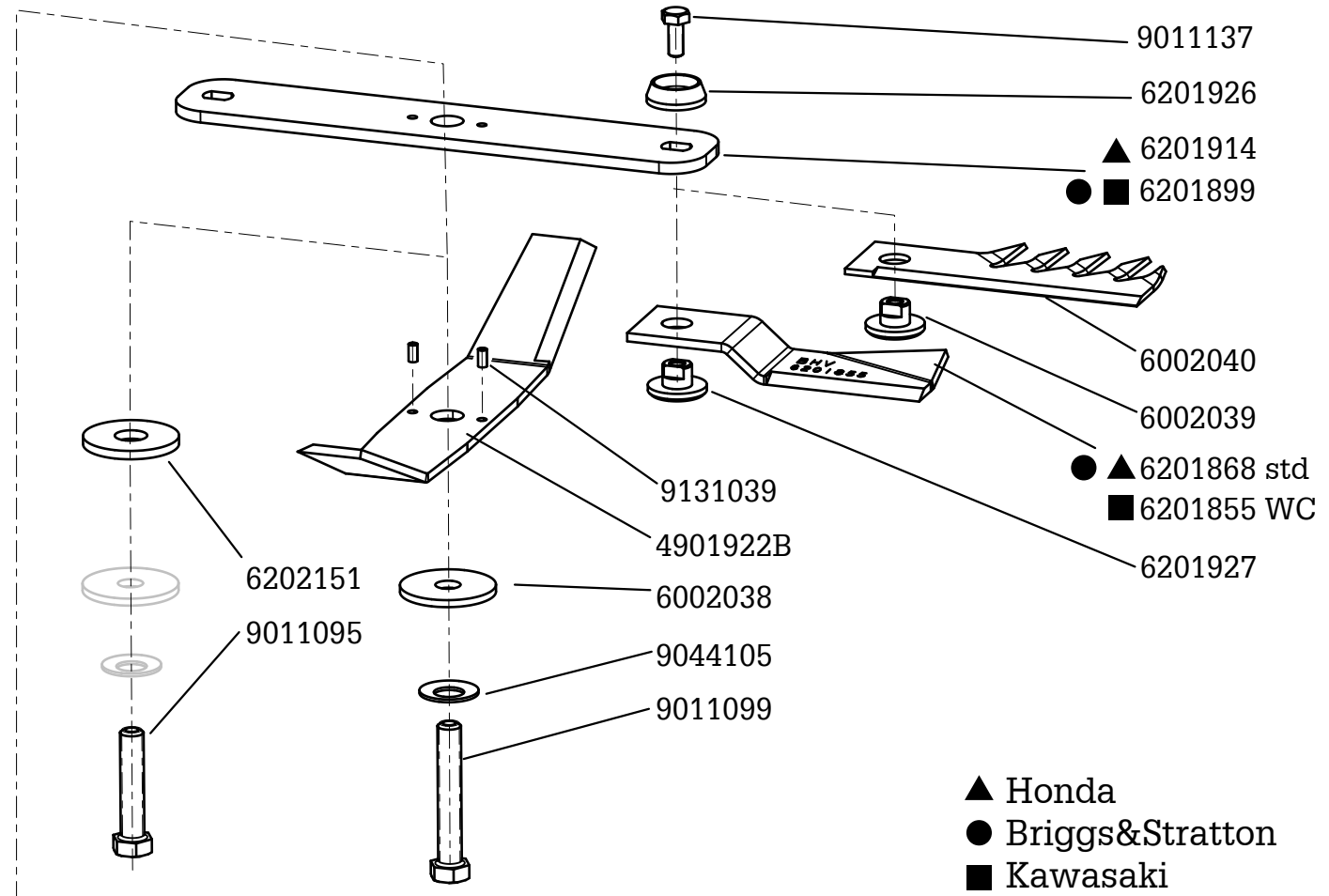
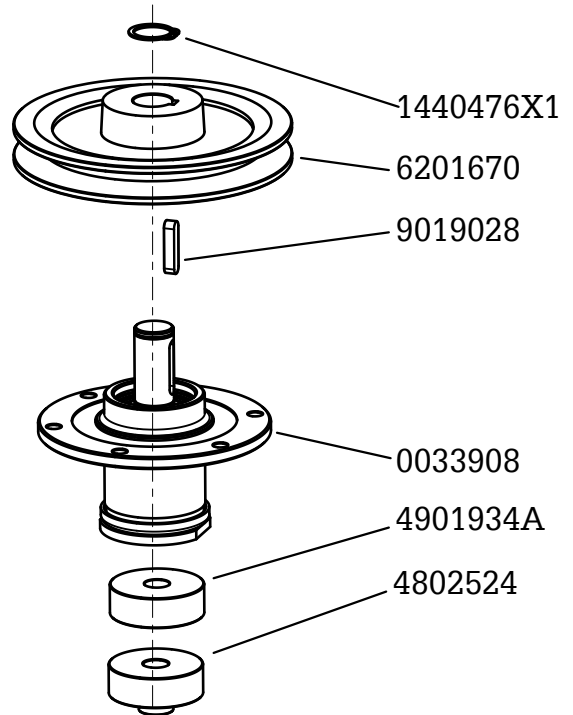


# T: X 08

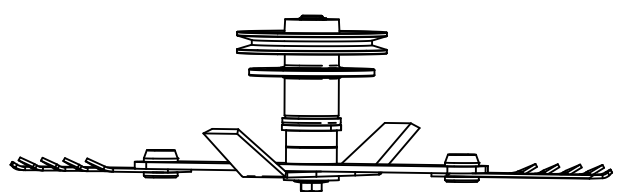




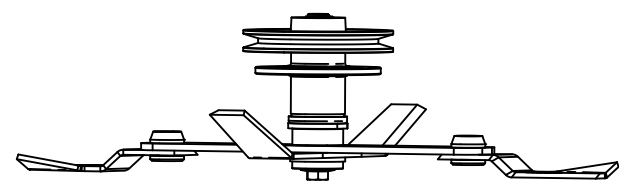
# T: X 10



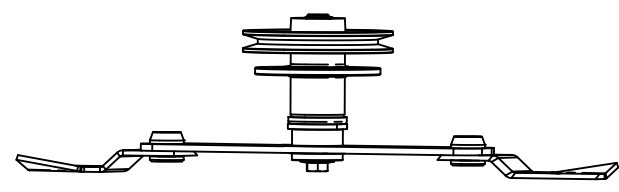
- ▲ Honda
- Briggs&Stratton
- Kawasaki



**A**



**B**



**C**